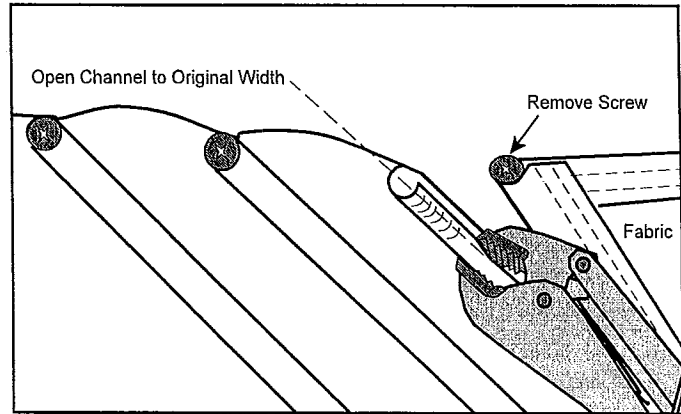


HOW TO RE-INSERT FABRIC IN CASE

1. Unroll the awning and lock the Z-Lock (if your awning dose not have a Z-Lock, someone will have to hold the roller from turning).
2. Have someone push and hold the roller toward the vehicle to relieve Tension on the fabric.

3. Remove the screw from the bead of the fabric (**Figure 1**).



4. Using vice-grips or pliers, open crimped spots in the channel of the slat to their original width (in the area that the fabric will be re-inserted). See (**Figure 1**).

Figure 1

5. Open the channel just enough to insert the bead of the fabric for 1 1/2" directly adjacent to where the fabric stopped pulling out of the slat. See (**Figure 2**).

6. Insert the fabric into the channel and pull till the fabric is even with the end of the slat. Press the fabric bead into the channel at the 1 1/2" opening.

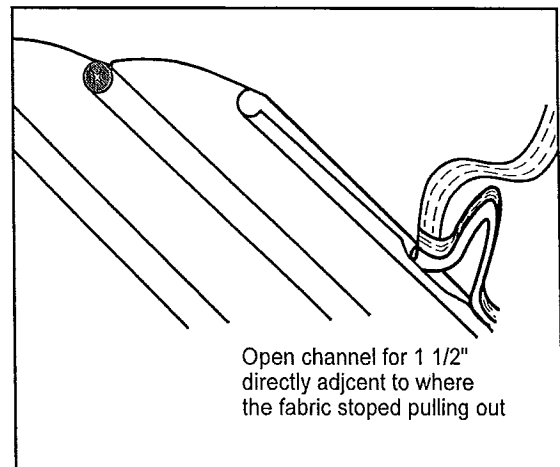


Figure 2

7. Use a vise grip pliers to close down the remaining crimps that were previously opened (**Figure 3**) just enough to prevent the fabric from shifting in the case channel.

8. Replace screw in cord.

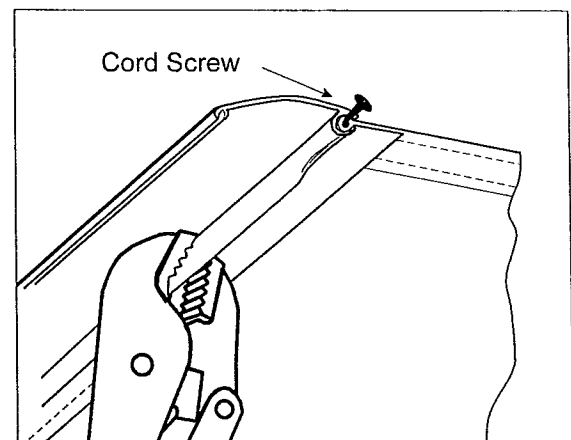


Figure 3